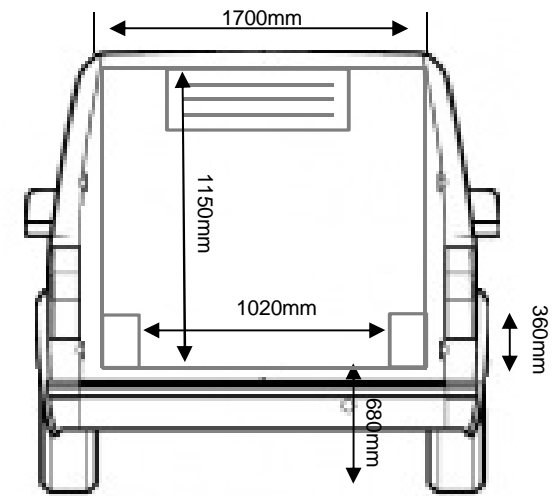
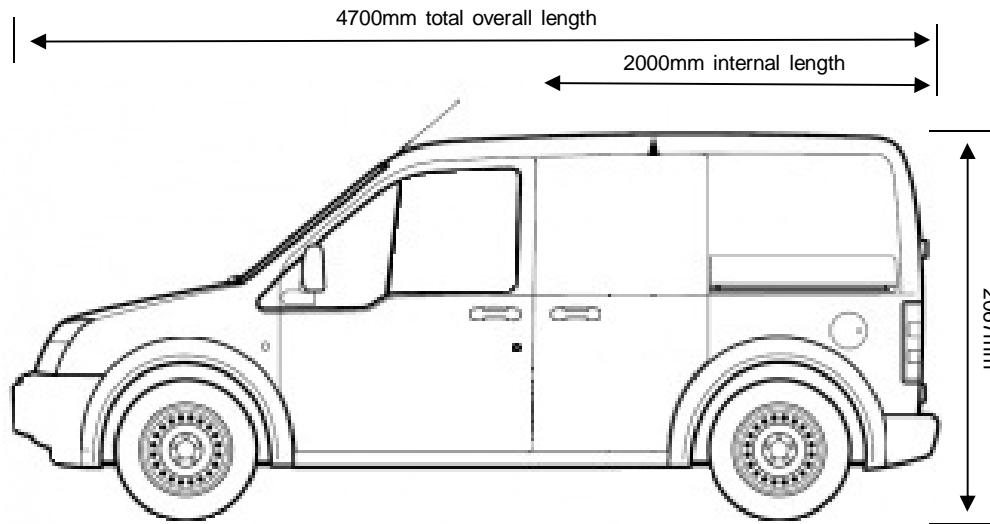


# Ford Transit Connect T230 / 1.8TDCi / 90ps / LWB / High Roof

Jan 2013



|                       |   |
|-----------------------|---|
| Refrigeration         | GAH Arrow Direct Drive refrigeration unit (on R404a refrigerant)  |
| Operating temperature | Frozen or chilled goods between -18 Deg C to +5 Deg C   |
| Dual Compartment      | No, dual compartment only available on larger medium and long wheel base vehicles   |
| Standby               | Yes, domestic single phase electric overnight standby facility  |
| General Spec          | 75 insulation throughout / chamfered wheel boxes / antibacterial gel coat / gritted floor / load lock to floor and sides / drain tube |
| Loading Capacity      | Total load area volume of 4m <sup>3</sup> / 140 sq ft   |
| Weight Capacity       | Max Gross - 2340kg<br>Unladen - 1600kg<br>Payload - 700kg   |

